

A New Clamp that Struts its Stuff!

- No more performance concerns with nonmetallic conduit
- No need for tools, nuts or bolts for strut mounting
- No reliability issues when used in corrosive environments



NEW PRODUCT SHOWCASE

Kraloy® introduces conduit clamps to its product line. Designed for use with PVC conduit, the new Conduit Clamps and Spacers (CCS) provide installation flexibility, strength and lasting reliability.

Recognizing the need for a clamp with features to support the unique requirements of nonmetallic conduit systems, Kraloy developed the CCS clamps.

They are engineered to accommodate proper expansion and contraction of conduits and to prevent unwanted clamp opening. Other features incorporated into the design include multiple mounting options (see back) and the ability to be linked together – regardless of the size of the adjacent clamp.

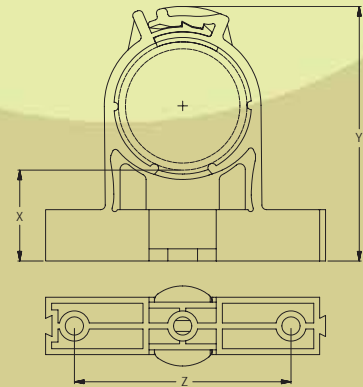
Most importantly, the CCS supports the conduit away from the mounting surface and made of PVC, the straps are ideal for use in wash-down areas and in corrosive and/or wet location environments.

With mounting options and a simple push-in conduit installation technique, the CCS clamps save you time and are cost effective without sacrificing quality.



Features:

- Optional mounting methods
 - Single center hole
 - Two hole
 - Strut mounting (with accessory parts CCS-B)
- Interconnecting in all sizes for uniform row installation
- Friction reduction ribs to permit conduit expansion/contraction
- Double offset clip design prevents unwanted opening of clamp



Dimensions (inches)

Size	Part Number	Product Code	X	Y	Z
1/2	CCS10	278106	1.191	2.414	1.824
3/4	CCS15	278095	1.195	2.660	2.106
1	CCS20	278096	1.215	2.962	2.443
1 1/4	CCS25	278097	1.182	3.300	2.855
1 1/2	CCS30	278098	1.193	3.600	3.170
2	CCS35	278099	1.195	4.135	3.785
Base	CCS-B	278107			

FEATURES

Single center hole



Two hole



Strut mounting w/ accessory parts



Interconnecting in all sizes for uniform row installation



Friction reduction ribs to permit conduit expansion/contraction

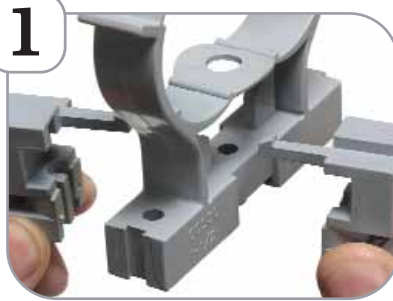


Double offset clip design prevents unwanted opening of clamp

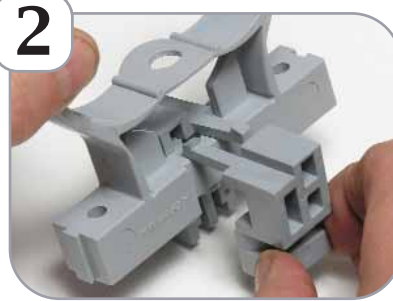


STRUT BASE ASSEMBLY

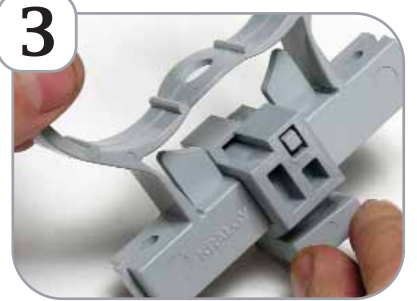
1



2



3



STRUT MOUNT INSTALLATION

1



2



3

